



DRM212 • DRM215 • DRM315

DRM Series Professional Powered Loudspeakers deliver class-leading power via ultra-efficient Class-D amplifiers with next-gen protection and Power Factor Correction technology for peak performance when you need it.

Advanced Impulse™ DSP provides acoustic correction and time-alignment via precision tuned FIR filters for crystal clear, punchy sound typically experienced only with massive touring systems. The DRM Control Dashboard™ features a high-contrast, full-color display on the back panel for quick and easy setup.

Custom transducers housed in touring-grade plywood cabinets are designed for consistent performance in the most demanding applications.

Equipped with M10 flypoints, dual angle pole mounts, and available line array configurations – the DRM Series is perfect for clubs, houses of worship, rental systems and more.

APPLICATIONS:

Medium to large-size club/band PA systems, houses of worship, DJs, rehearsal spaces, gymnasiums, banquet halls, A/V rentals and many, many more.

FEATURES:

- High-efficiency Class-D amplifiers
 - Up to 2300W of power offers ample headroom for professional applications
 - Universal power supply (100-240 VAC) with Power Factor Correction technology ensures consistent performance even with unstable AC power
 - Next-gen protection circuitry keeps transducers safe and ensures peak performance in all applications

- Advanced Impulse™ DSP module
 - Precision crossovers and transducer time-alignment deliver reference quality sound that is consistent throughout the frequency range
 - Cutting-edge FIR Filtering drastically reduces inherent anomalies, phase issues, and muddy midrange resulting in crystal clear sound
- DRM Control Dashboard™ features a high-contrast full color display for easy single-knob access to configuration, processing, and more
 - View current EQ and voicing mode, high-resolution metering, and more from a single overview window
 - Application and venue specific modes provide easy to use voicing with minimal setup time
 - Adjustable 3-band parametric EQ allows for additional customization and tuning for your application and venue
 - Alignment Delay control for delay stacks
 - Save and recall up to 6 user presets for various applications and venues
 - Screensaver plus dimmer and contrast control
 - System lock with 4-digit passcode
- Dual independent inputs that support mic, line, and instrument signals plus a dedicated 1/8" stereo aux input
- Premium components and cabinet design
 - Road-worthy plywood construction and internal bracing offers optimal acoustic performance with a touring-grade textured coating and powder-coated heavy gauge steel grille
 - Unique ported design provides exceptionally smooth yet punchy low frequency response while providing cool air directly to the internal amplifier
 - Titanium diaphragm compression drivers are perfectly matched to the amplifier for maximum transparency and clarity
 - Custom high-excursion woofers offer minimal distortion with increased bass response and reliability to withstand the most demanding live applications
- Versatile configuration
 - DRM212 and DRM215 feature an angled cabinet design for use as floor monitors and dual angle pole-mounts for optimal coverage
 - DRM315 features a single angle pole-mount
- Professional rigging options
 - M10 flypoints for professional installations**

**DRM212 and DRM215 can be flown in vertical orientation only

**DRM315 can be flown in both horizontal and vertical orientation

DRM212 • DRM215 • DRM315 SPECIFICATIONS

Acoustic Performance

Frequency Range (-10 dB):	45 Hz - 20 kHz [DRM212]
	43 Hz - 20 kHz [DRM215]
	35 Hz - 20 kHz [DRM315]
Frequency Range (-3 dB):	50 Hz - 20 kHz [DRM212]
	47 Hz - 20 kHz [DRM215]
	39 Hz - 20 kHz [DRM315]
Horizontal Coverage Angle:	90° [All, DRM315 rotatable]
Vertical Coverage Angle:	60° [All, DRM315 rotatable]
Maximum SPL Peak:	134 dB [DRM212]
	135 dB [DRM215]
	137 dB [DRM315]
Monitor Angle:	50° [DRM212 and DRM215]

Transducers

Low Frequency:	12 in / 305 mm [DRM212]
	15 in / 381 mm [DRM215 and DRM315] with ferrite
Mid Frequency:	6.5 in / 165 mm [DRM315]
High Frequency:	1.4 in / 36 mm titanium dome compression driver [All]

Power Amplifiers

System Power Amplification	
Rated Power:	1600 watts peak [DRM212] 1600 watts peak [DRM215] 2300 watts peak [DRM315]
Low Frequency Power Amplifier	
Rated Power:	1220 watts peak [DRM212] 1220 watts peak [DRM215] 1920 watts peak [DRM315]
Rated THD:	< 1%
Cooling:	Convection
Design:	Class D
High Frequency Power Amplifier	
Rated Power:	380 watts peak
Rated THD:	< 1%
Cooling:	Convection
Design:	Class D

System Processing

Voicing:	4 speaker modes
Subwoofer HPF:	Off, DRM18S, Var
Main Output EQ:	3-band
Delay:	0 - 100 ms

Equalization

Low:	±12 dB @ 20 Hz - 200 Hz
Mid:	±12 dB @ 200 Hz - 2.00 kHz
High:	±12 dB @ 2.00 kHz - 20.0 kHz
HPF:	40 Hz - 160 Hz (Var)

Input / Output

Input Type:	2x Female XLR Balanced • 1/4" Balanced • 1/8" Stereo
Mic-Line Impedance:	8 kΩ balanced
1/4" TS, Wide-Z™ Impedance:	1 MΩ unbalanced
Direct Out and Mix Out:	Male XLR Balanced
Mix Out Impedance:	600 Ω balanced
Main Control:	Rotating Knob

Electronic Crossover

Crossover Type:	24 dB/octave
Crossover Frequency:	1.5 kHz [DRM212 and DRM215]
	900 Hz [DRM315 LF / MF]
	2.5 kHz [DRM315 MF / THF]

Line Input Power

Detachable line cord:	~100 - 240 VAC, 50 - 60 Hz, 110W ~220 - 240 VAC, 50 - 60 Hz, 110W
AC Connector:	3-pin IEC 250 VAC, 10 A male
Power Supply Type:	Switchmode

Safety Features

Input Protection:	Peak and RMS limiting, power supply and amplifier thermal protection
Display LEDs:	Defeatable front power, Speaker Control
Status Info:	Input and output levels, voicing mode, sub HPF, EQ and delay settings

Construction Features

Basic Design:	Asymmetrical [DRM212 and DRM215] Vertical Trapezoidal [DRM315]
Enclosure Material:	Plywood
Enclosure Finish:	Black Polyurea
Grille Material:	16-18 gauge perforated steel
Grille Finish:	Powder-coated black
Handles:	One on each side [All], one on top [DRM212 and DRM215]
Display LEDs	Front: Power ON
	Rear: Speaker Control
Operating Temperature:	0 - 40 °C 32 - 104 °F

DRM212 • DRM215 • DRM315 SPECIFICATIONS CONTINUED...

Physical Properties (product)

DRM212:	
Height:	25.0 in / 635 mm
Width:	14.7 in / 373 mm
Depth:	16.2 in / 411 mm
Weight:	42.0 lb / 19.1 kg

DRM215:	
Height:	28.3 in / 719 mm
Width:	18.1 in / 460 mm
Depth:	17.0 in / 432 mm
Weight:	57.0 lb / 25.9 kg

DRM315:	
Height:	36.5 in / 927 mm
Width:	19.0 in / 483 mm
Depth:	18.8 in / 478 mm
Weight:	68.0 lb / 30.8 kg

Physical Properties (packaged product)

DRM212:	
Height:	29.6 in / 752 mm
Width:	18.7 in / 475 mm
Depth:	19.3 in / 490 mm
Weight:	48.0 lb / 21.8 kg

DRM215:	
Height:	32.7 in / 831 mm
Width:	21.8 in / 554 mm
Depth:	20.5 in / 521 mm
Weight:	65.1 lb / 29.5 kg

DRM315:	
Height:	39.2 in / 996 mm
Width:	22.2 in / 564 mm
Depth:	22.3 in / 566 mm
Weight:	81.2 lb / 36.8 kg

Mounting Methods

Floor mount, pole mount via the built-in socket on the bottom of the cabinet [Be sure the pole is capable of supporting the weight of the DRM loudspeaker] or fly via the integrated M10 mounting points (using M10 x 1.5 x 20 mm forged shoulder eyebolts).

Options

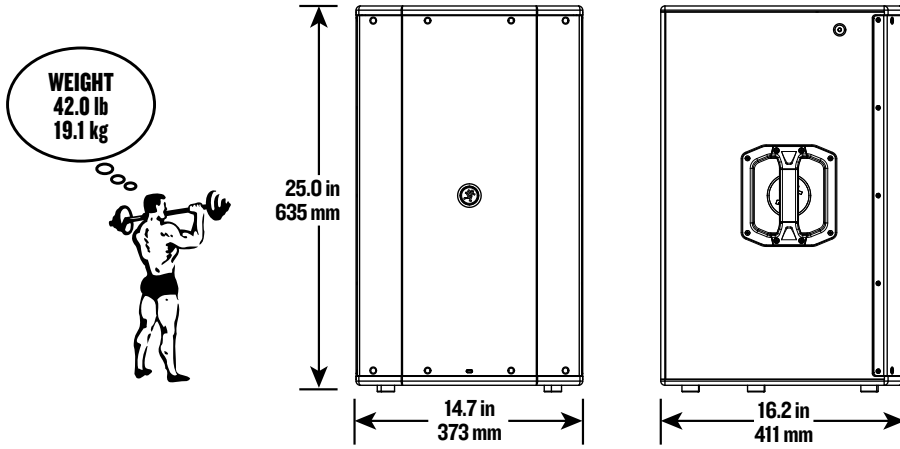
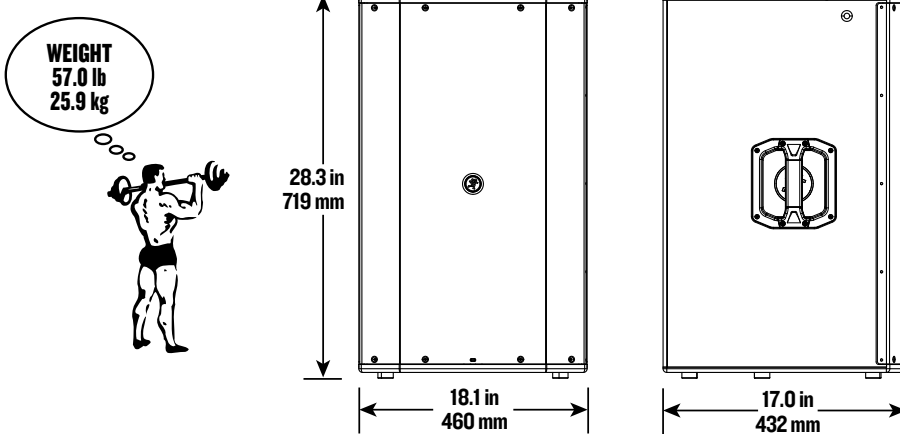
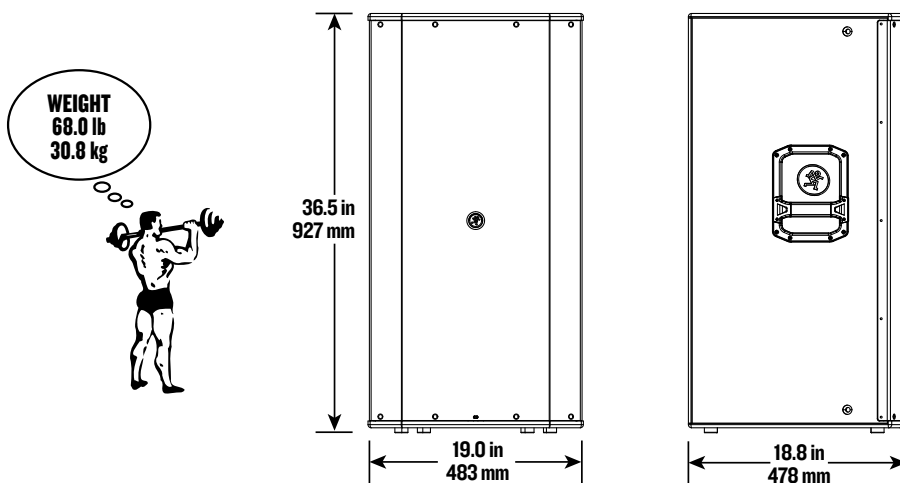
DRM212 Cover:	P/N 2036809-48
DRM215 Cover:	P/N 2036809-49
DRM315 Cover:	P/N 2036809-50
SPM400 Loudspeaker Pole Mount:	P/N 2051055
PA-A2 Forged Shoulder Eyebolt Kit (3 x M10 x 1.5 x 20 mm)	P/N 2051054

Ordering Information

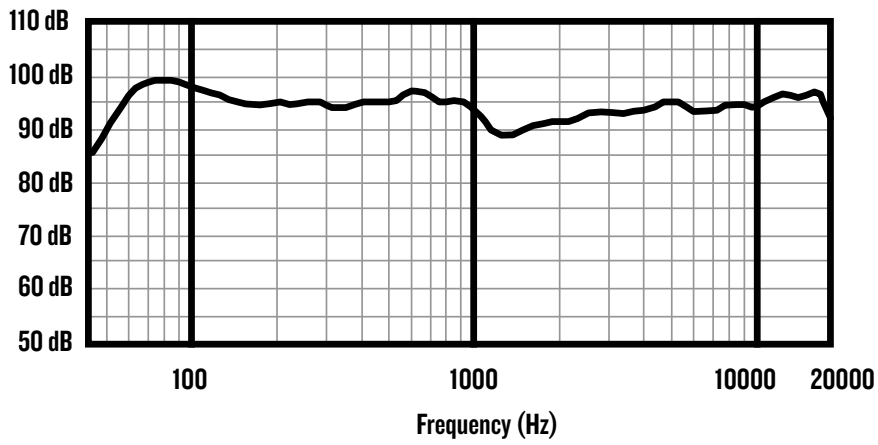
DRM212 1600W 12" Professional Powered Loudspeaker, US	P/N 2050051-00
DRM212 1600W 12" Professional Powered Loudspeaker, EU	P/N 2050051-01
DRM212 1600W 12" Professional Powered Loudspeaker, UK	P/N 2050051-03
DRM212 1600W 12" Professional Powered Loudspeaker, AU	P/N 2050051-04
DRM212 1600W 12" Professional Powered Loudspeaker, CN	P/N 2050051-05
DRM212 1600W 12" Professional Powered Ldspkr, BZ ~120V	P/N 2050051-06
DRM212 1600W 12" Professional Powered Loudspeaker, AR	P/N 2050051-07

DRM215 1600W 15" Professional Powered Loudspeaker, US	P/N 2050061-00
DRM215 1600W 15" Professional Powered Loudspeaker, EU	P/N 2050061-01
DRM215 1600W 15" Professional Powered Loudspeaker, UK	P/N 2050061-03
DRM215 1600W 15" Professional Powered Loudspeaker, AU	P/N 2050061-04
DRM215 1600W 15" Professional Powered Loudspeaker, CN	P/N 2050061-05
DRM215 1600W 15" Professional Powered Ldspkr, BZ ~120V	P/N 2050061-06
DRM215 1600W 15" Professional Powered Loudspeaker, AR	P/N 2050061-07

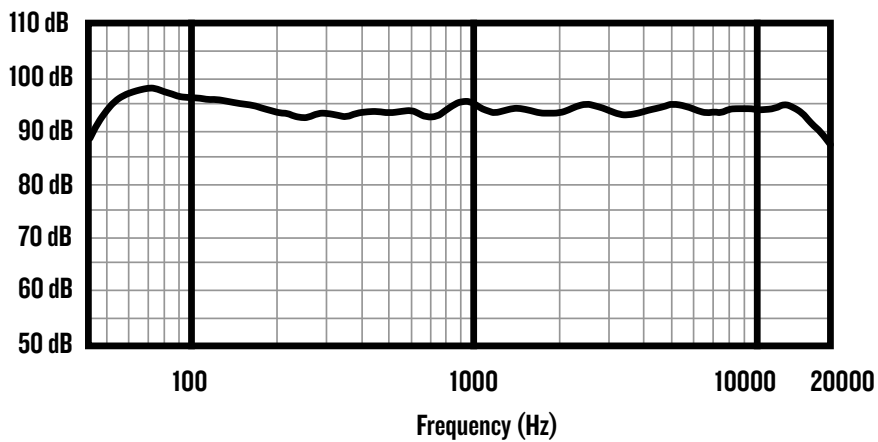
DRM315 2300W 15" 3-way Professional Powered Ldspkr, US	P/N 2050071-00
DRM315 2300W 15" 3-way Professional Powered Ldspkr, EU	P/N 2050071-01
DRM315 2300W 15" 3-way Professional Powered Ldspkr, UK	P/N 2050071-03
DRM315 2300W 15" 3-way Professional Powered Ldspkr, AU	P/N 2050071-04
DRM315 2300W 15" 3-way Professional Powered Ldspkr, CN	P/N 2050071-05
DRM315 2300W 15" 3-way Pro Powered Ldspkr, BZ ~120V	P/N 2050071-06
DRM315 2300W 15" 3-way Professional Powered Ldspkr, AR	P/N 2050071-07

DRM212 DIMENSIONS

DRM215 DIMENSIONS

DRM315 DIMENSIONS


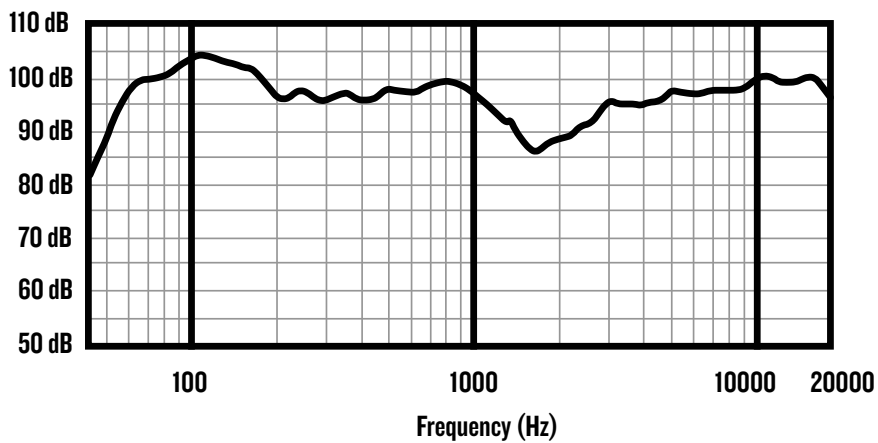
DRM212 FREQUENCY GRAPH

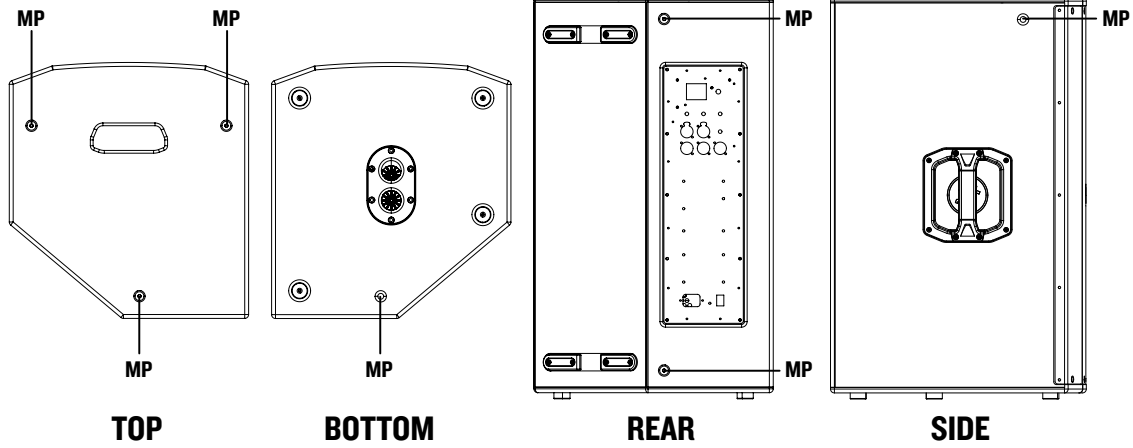
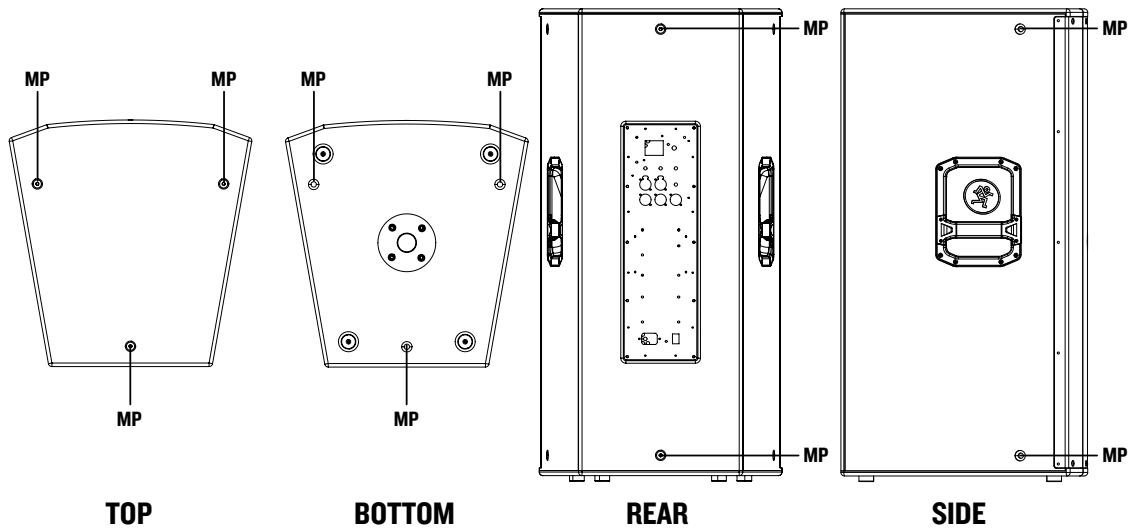


DRM215 FREQUENCY GRAPH

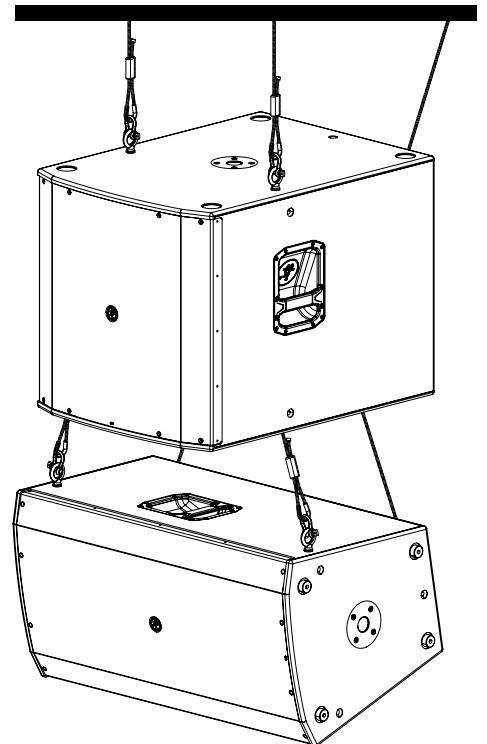
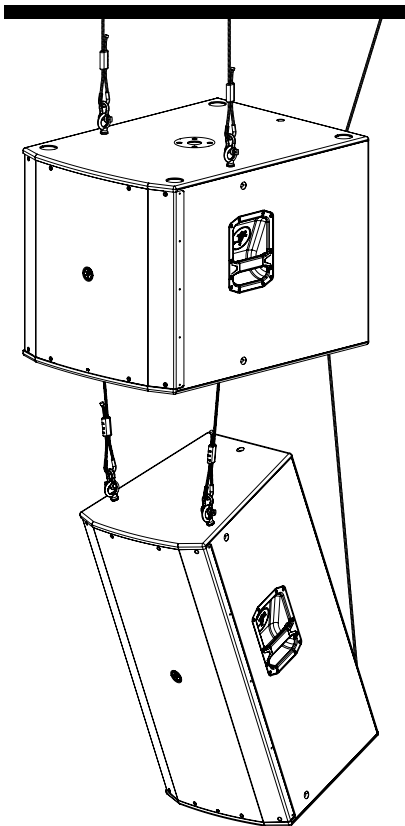
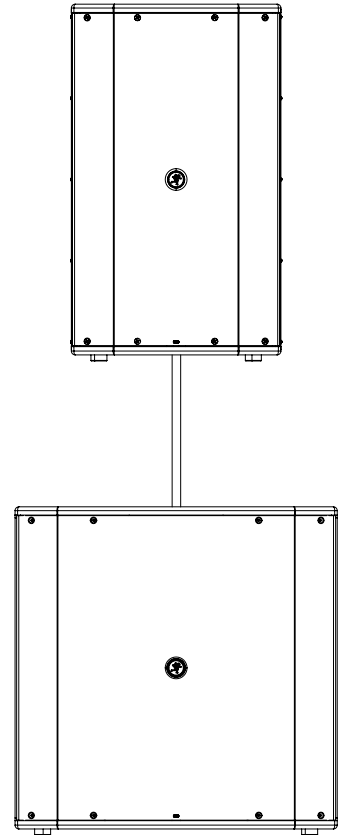
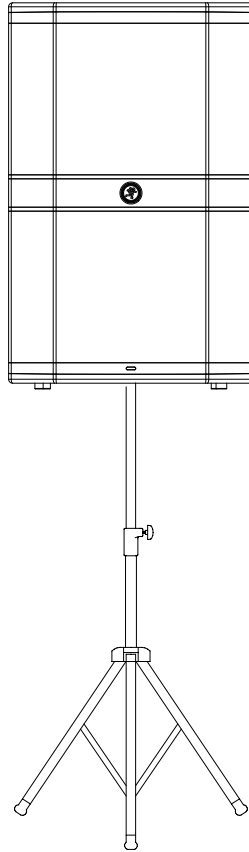
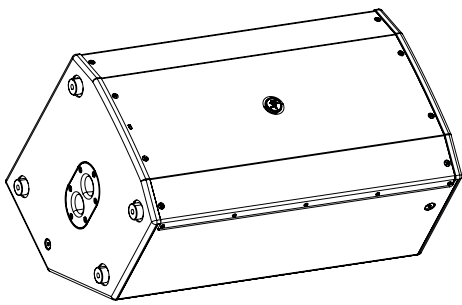


DRM315 FREQUENCY GRAPH

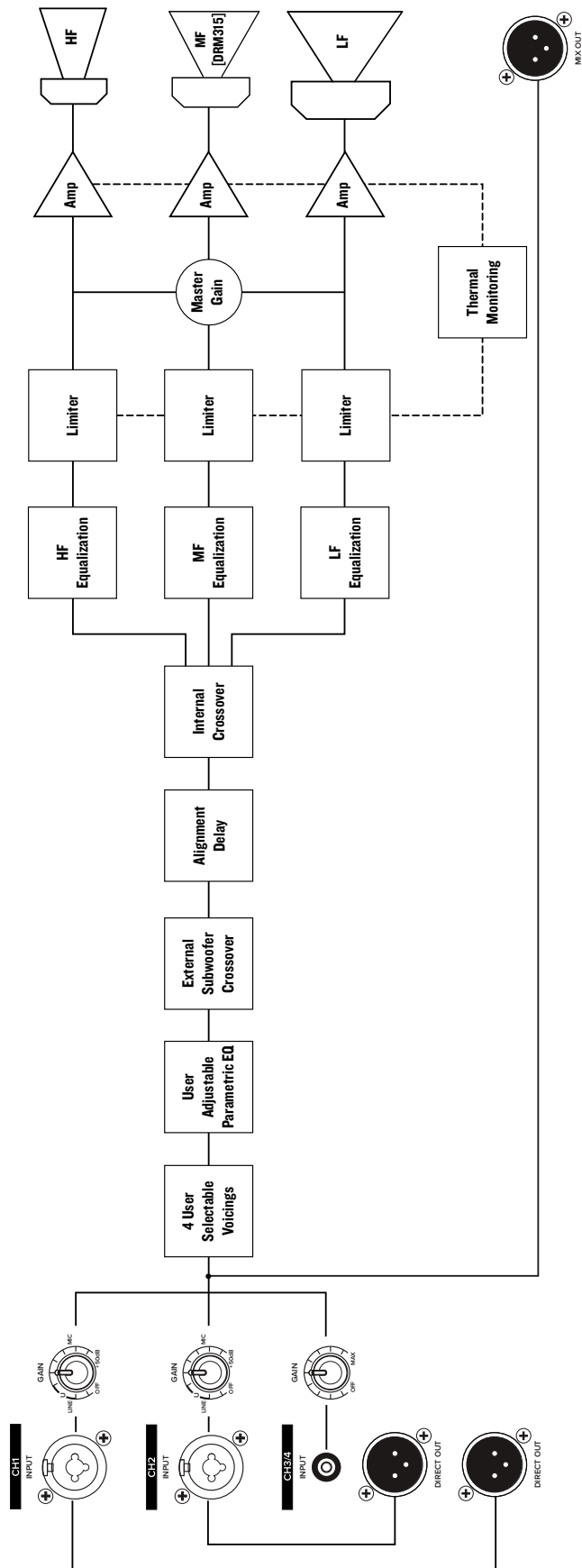


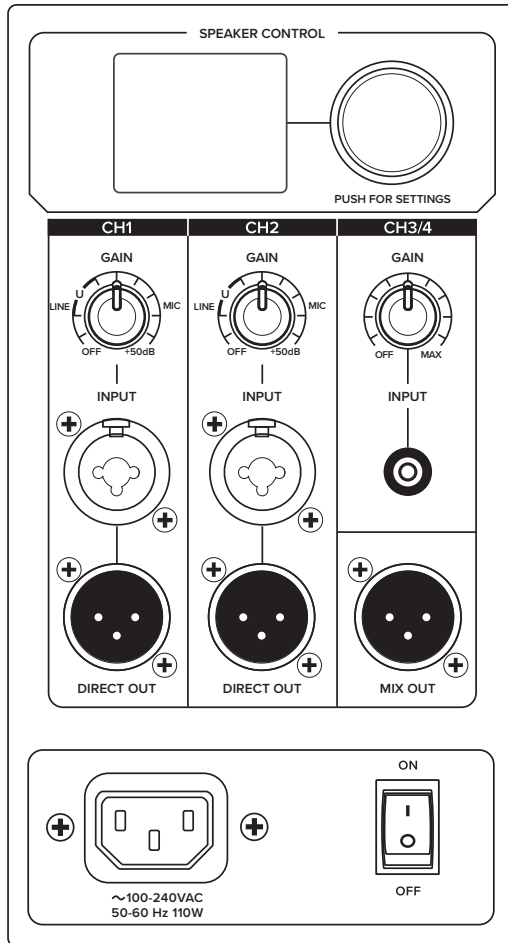
DRM212 • DRM215 MOUNTING POINTS

DRM315 MOUNTING POINTS


DRM212 • DRM215 • DRM315 RIGGING POSSIBILITIES



DRM212 • DRM215 • DRM315 BLOCK DIAGRAM



DRM212 • DRM215 • DRM315 REAR PANEL


LOUD Audio, LLC. is always striving to improve our products by incorporating new and improved materials, components, and manufacturing methods. Therefore, we reserve the right to change these specifications at any time without notice.

“Mackie” and the “Running Man” figure are registered trademarks of LOUD Audio, LLC. All other brands mentioned are trademarks or registered trademarks of their respective holders, and are hereby acknowledged.

©2020 LOUD Audio, LLC. All rights reserved.



Like us



Follow us



Watch our dang videos

Electronic files for this product are available at:
www.mackie.com

Specification Sheet	DRM212_215_315_SS.PDF
Owner's Manual	DRM212_215_315_OM.PDF



www.mackie.com
 19820 North Creek Parkway #201
 Bothell, WA 98011 USA
 800-898-3211, Fax 425-487-4337

Part No. SW1270 Rev. C 09/20